

**特点**

- * 外形尺寸: 354 mm × 166 mm × 62 mm
- * 宽输入电压范围
- * 单路输出
- * 金属全封闭外壳封装

Features

- * Size: 140×66×24.5inch
- * Wide Input Voltage Range
- * Single Output
- * Encapsulation in metallic all closed shell

型号 (Model Number) : WDM-AL500W1AG

输入特性(Input)

注释(Notes and Conditions)

输入电压范围(Input Voltage Range)	160~280Vac
输入频率(Input Frequency)	40~60Hz

输出特性(Output)

注释(Notes and Conditions)

输出电压标称值 (Output Voltage Nominal)	54V	
输出电压精度(Voltage Set-Point Accuracy)	Vo1:±2%	
输出电流标称值 (Output Current Nominal)	10A	
源效应(Line Regulation)	Vo1:±1%	Vimin~Vimax, Ionom
负载效应(Load Regulation)	Vo1:±1%	10%~100%Ionom, Vinom
输出过压保护点 (Output Overvoltage Protection)	60V	
短路保护(Short-Circuit Protection)	间歇自恢复	
上电启动时间 (Turn on Time)	400ms	
断电保持时间 (Hold-up Time)	10ms	
瞬态响应(Dynamic Response)		
过冲幅度(Peak Deviation)	±5%Vo	25%-50%-25% of Ionom
跌落幅度 (Undershoot Deviation)		
恢复时间(Settling Time)	5ms	and 50%-75%-50% of Ionom
输出纹波及噪声峰值 (Output Ripple and Noise)	200mV	
功率因数 (Power Factor)	95%	

一般特性(General)

注释(Notes and Conditions)

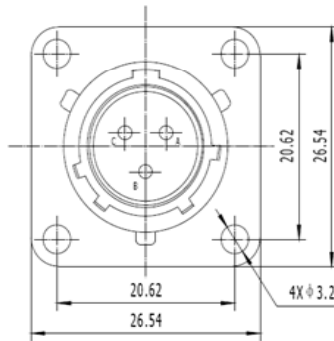
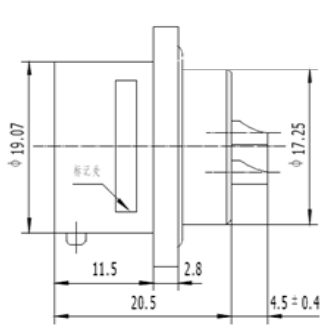
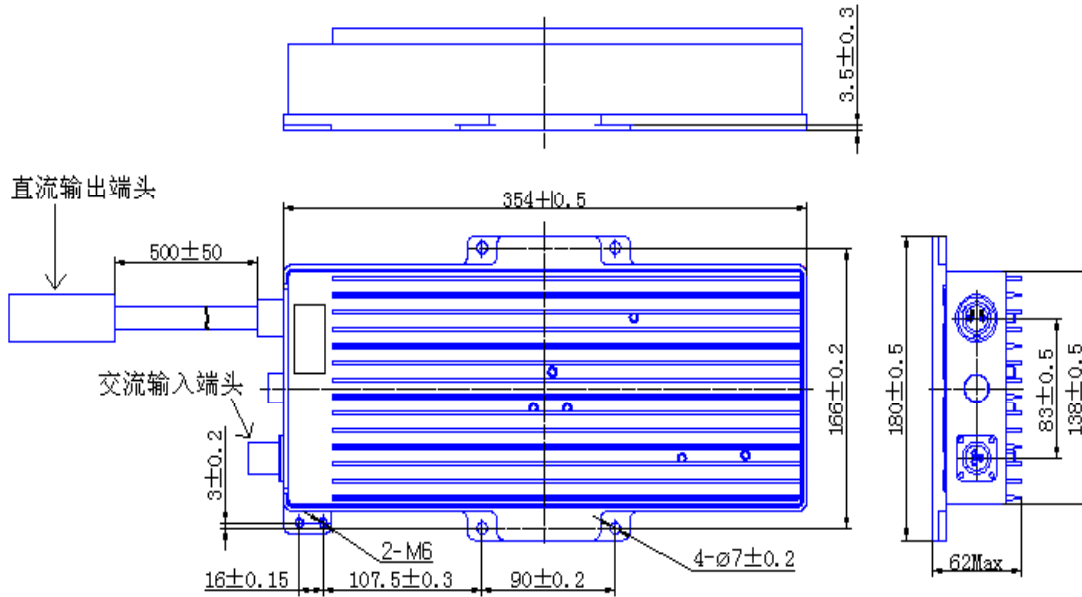
温度系数(Temperature Coefficient)	±0.05%/°C	
工作环境温度(Ambient Temperature)	-40-----+55 °C	
贮存温度(Storage Temperature)	-55-----+65 °C	
过温保护 (Over Temperature Protection)	110 °C	
效率 (Efficiency)	92%	
平均故障间隔时间(MTBF)	2×10 ⁵ h	Bellcore TR-332 (Ta=25 °C)
绝缘电压(Isolation Voltage)		
输入与输出(Input-Output)	3000Vac 1min	漏电流≤30mA
输入与外壳(Input-Case)	1000Vac 1min	漏电流≤30mA
输出与外壳(Output-Case)	500Vac 1min	漏电流≤30mA
绝缘电阻(Isolation Resistance)	20MΩ	500V _{DC}

注: 除非另有说明, 指标一般在标称输入电压、满载和25°C环境温度。

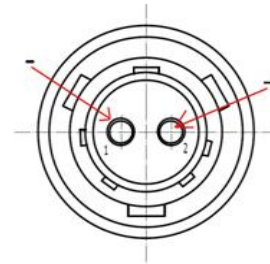
Note: All specifications are typical at nominal input, full load at 25 °C, unless otherwise stated.

安装尺寸 (Mechanical Drawing)

尺寸单位是mm; All Dimensions in mm



交流输入端口
AC Input Connections



直流输出端口
DC Output Connections

接插件	交流输入端口 Ac Input Connections			直流输出端口 Dc Output Connections	
	A	B	C	1	2
引脚	A	B	C	1	2
定义	N	GND	L	+Vo	-Vo

温度降额曲线(Temperature Derating Curve)

